

# Slat Wall Floor Display- Product Spec -Rev5

## Function:

Single/ Double sided - Dual purpose

## Material:

PVC plastic slat wall; cold-formed steel with spray painting.



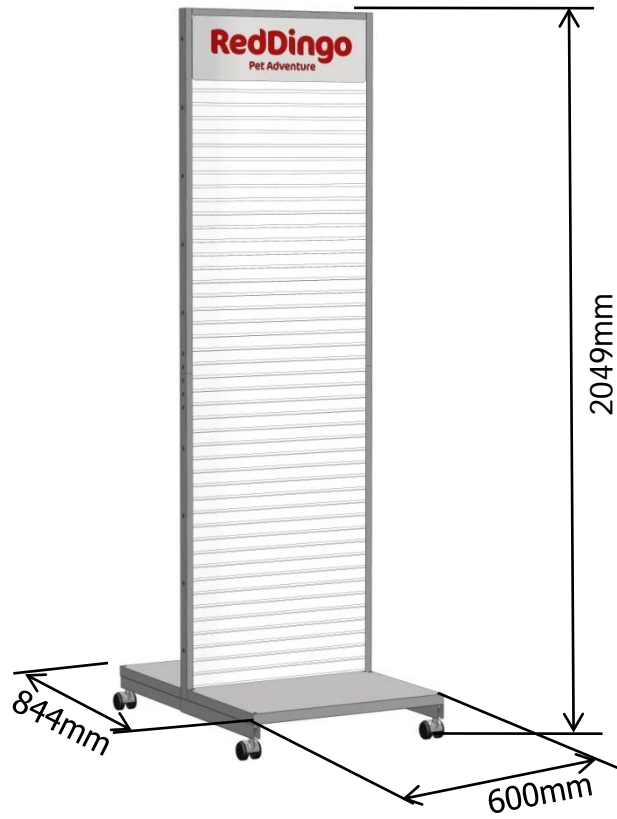
Double sided display



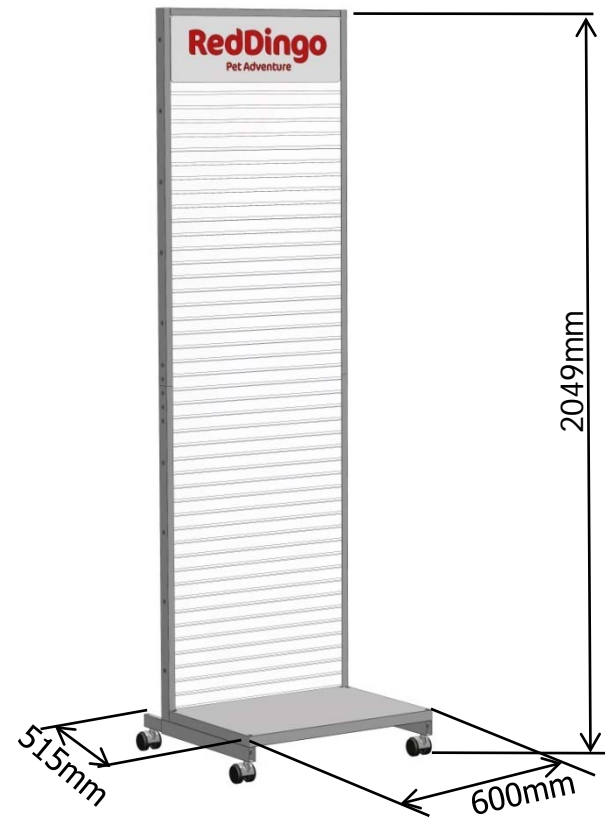
Single sided display

# Dimension:

## Double sided:

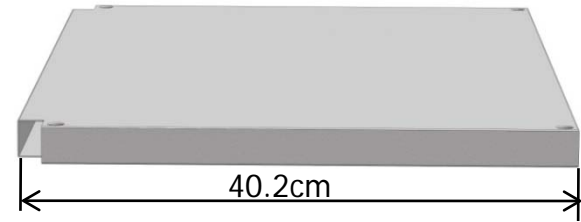
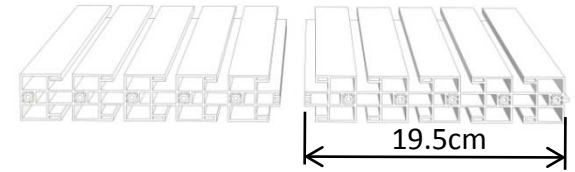
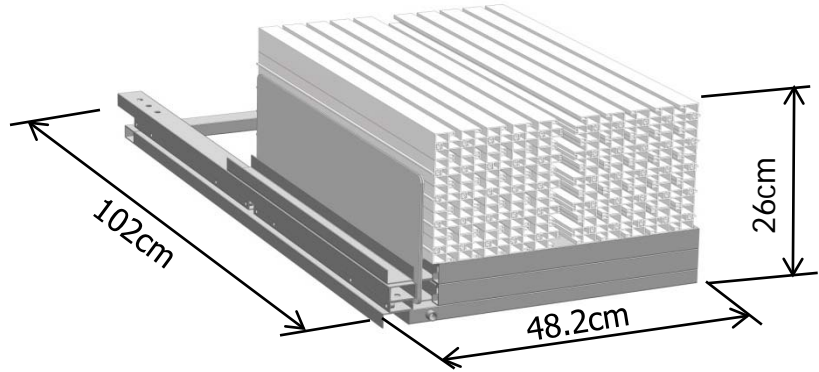


## Single sided:

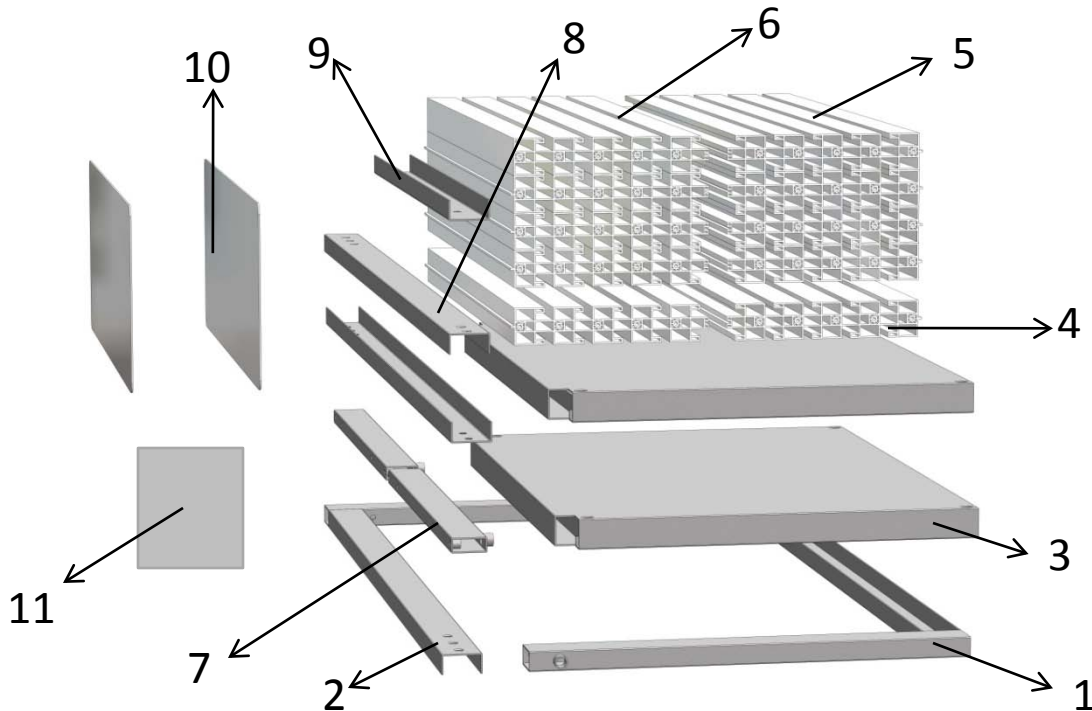


## Packing:

Packing  
1set/ctn  
Carton Box Size: 106x52x30cm



## Weight:



No.	Part Name	Unite Weight(KG)	Qty	Total Weight(kg)
1	Upright-Left leg	1.5	1	1.5
2	Upright-Right leg	1.5	1	1.5
3	Shelf	2.93	2	5.87
4	PVC Slat wall(long)	1.49	8	12
5	PVC Slat wall(Short)	1.48	1	1.5
6	PVC Slat wall(Top)	1.485	1	1.5
7	Insert Leg	0.5	2	1
8	Top upright	0.9	2	1.8
9	Top cover	0.5	1	0.5
10	Logo board	-	2	-
11	Component bag (feets, screws, connectors.etc)	1	1	1
	<b>TOTAL</b>			<b>28.2</b>